
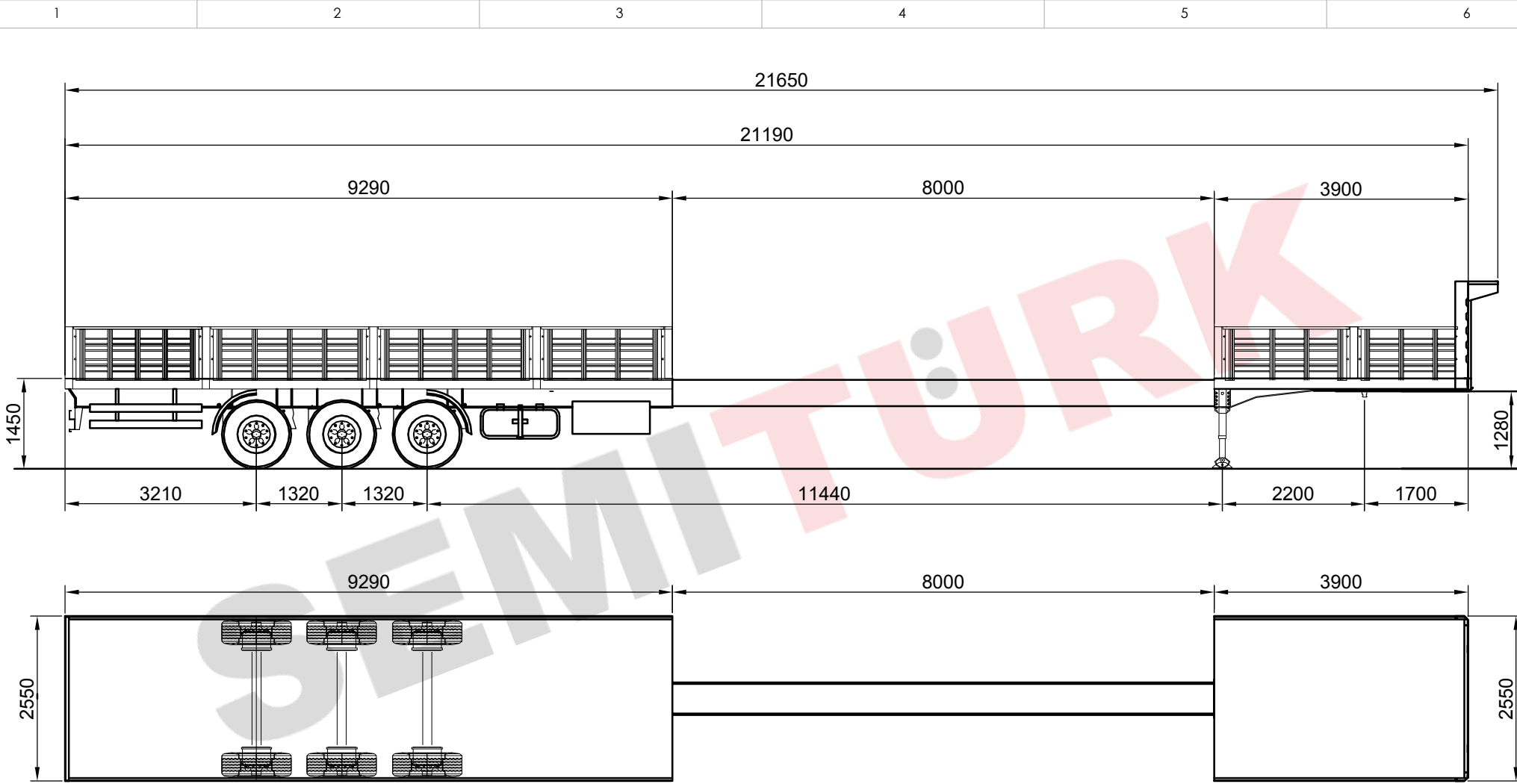


NOTICE:


* 'Büyükyüksel Damper Hid. Mak. San. Tic. Ltd. Şti.' has adopted principle of continuous improvement its products
 * 'Büyükyüksel Damper' reserves the right to make changes in technical dimensions and features without prior notice
 * So; this technical drawing is given to be added to the contract annex and it is for only informational purposes

	Name	Date & Signature	
Designer	A.TAŞDELEN		
Control	A.ADIYAMAN		
Approval	O.ADIYAMAN		Trademark Name: SEMİTÜRK
Type Approval	e5*2018/858*00075*00		www.yukseldamper.com.tr
Q.M.S. / No.	ISO 9001:2015 / QMS-0104558		www.semiturk.com.tr
Product Code	SFBE30AG21		info@yukseldamper.com.tr
Product Name	Extendable Platform Semi-Trailer		+90 530 610 1432 / +90 332 239 1860
All rights of this picture belong to BÜYÜKYÜKSEL DAMPER LTD. ŞTİ. So, it can not be reproduced, copied and published without permission			

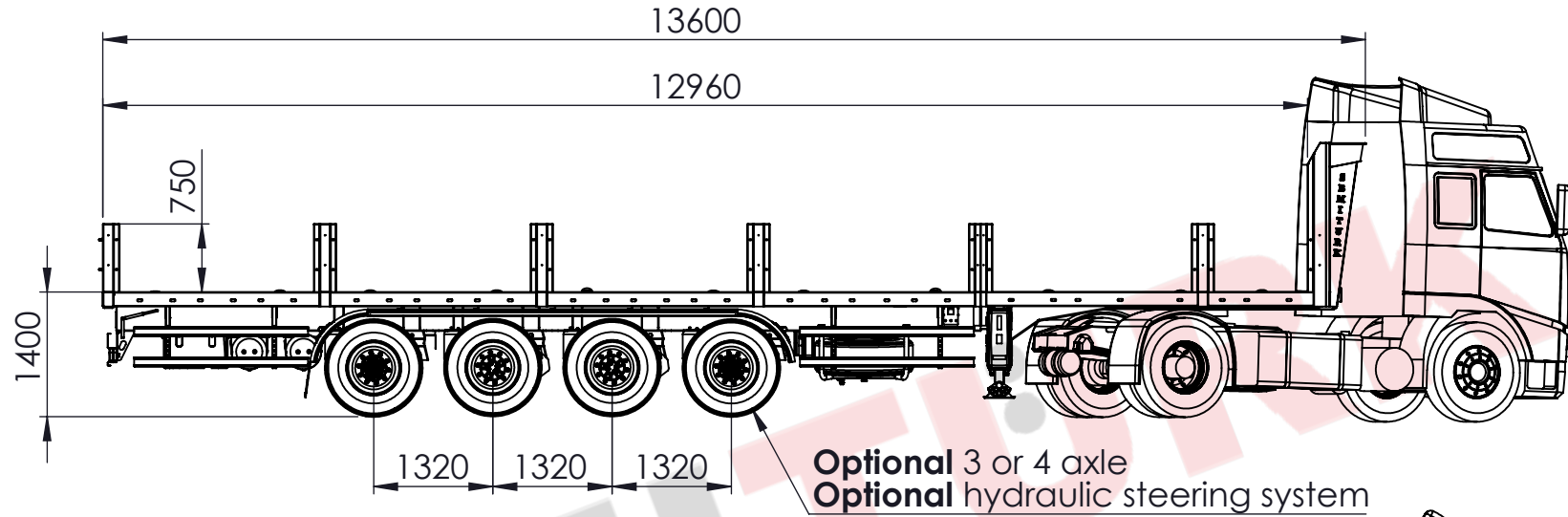


NOTICE:

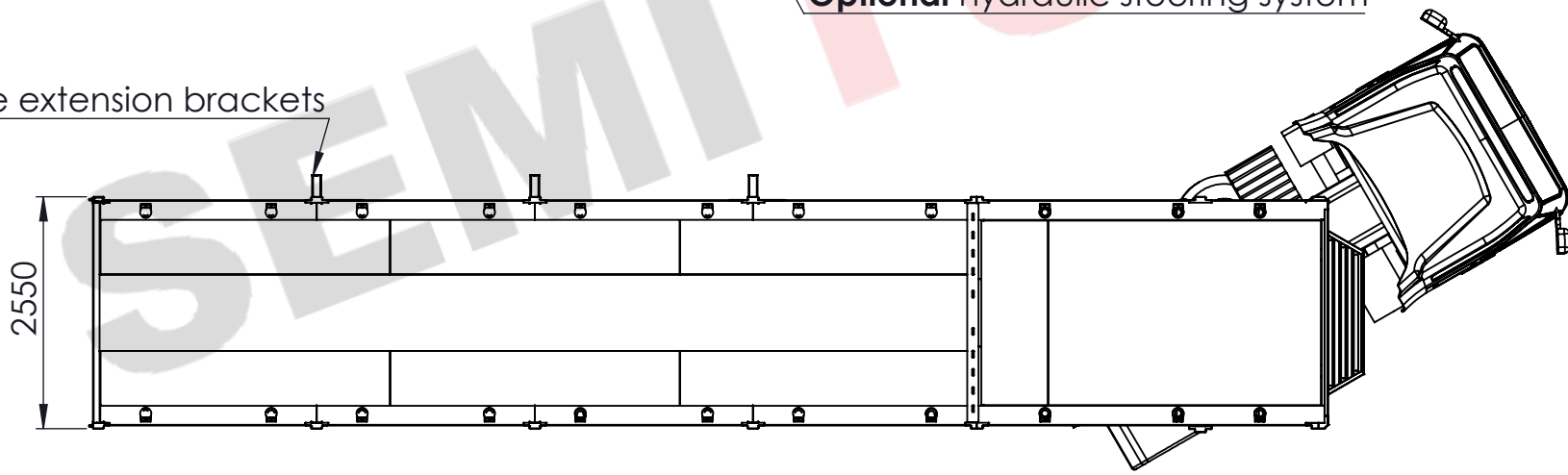
* 'Büyükyüksel Damper Hid. Mak. San. Tic. Ltd. Şti.' has adopted principle of continuous improvement its products
 * 'Büyükyüksel Damper' reserves the right to make changes in technical dimensions and features without prior notice
 * So; this technical drawing is given to be added to the contract annex and it is for only informational purposes

	Name	Date & Signature	 Trademark Name: SEMİTÜRK www.yukseldamper.com.tr www.semiturk.com.tr info@yukseldamper.com.tr +90 530 610 1432 / +90 332 239 1860
Designer	A.TAŞDELEN		
Control	A.ADIYAMAN		
Approval	O.ADIYAMAN		
Type Approval	e5*2018/858*00075*00		
Q.M.S. / No.	ISO 9001:2015 / QMS-0104558		
Product Code	SFBE30AG21		
Product Name	Extendable Platform Semi-Trailer		

All rights of this picture belong to **BÜYÜKYÜKSEL DAMPER LTD. ŞTİ.** So, it can not be reproduced, copied and published without permission



Optional side extension brackets



NOTICE:
 * 'Büyüküksel Damper Hid. Mak. San. Tic. Ltd. Şti.' has adopted principle of continuous improvement its products
 * 'Büyüküksel Damper' reserves the right to make changes in technical dimensions and features without prior notice
 * So; this technical drawing is given to be added to the contract annex and it is for only informational purposes

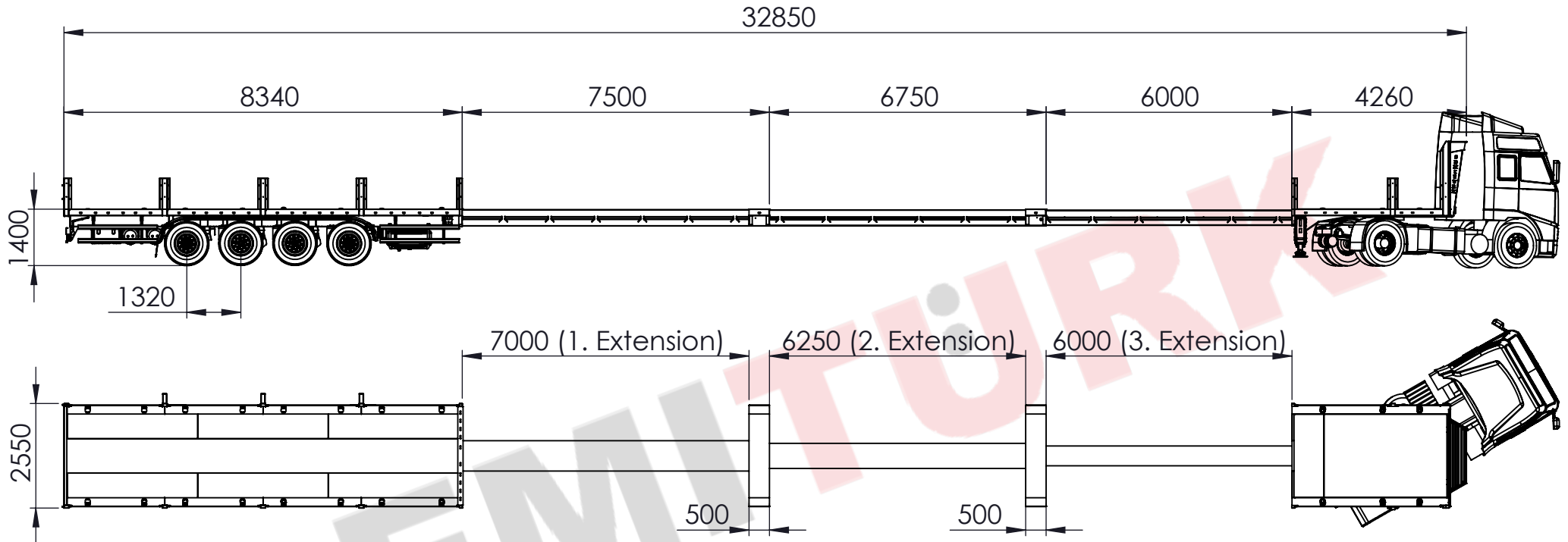
	Name	Date & Signature
Designer	A.TAŞDELEN	
Control	A.ADIYAMAN	
Approval	O.ADIYAMAN	
Type Approval	e5*2018/858*00075*00	
Q.M.S. / No.	ISO 9001:2015 / QMS-0104558	
Product Code	SFBE04HG21	
Product Name	Extendable Platform Semi-Trailer	



Trademark Name: **SEMITURK**

www.yukseldamper.com.tr
 www.semiturk.com.tr
 info@yukseldamper.com.tr
 +90 530 610 1432 / +90 332 239 1860


All rights of this picture belong to BÜYÜKYÜKSEL DAMPER LTD. STI. So, it can not be reproduced, copied and published without permission



	Close Position Length (Max.)	First Extension Length (Max.)	Second Extension Length (Max.)	Third Extension Length (Max.)	Open Position Length (Max.)
1 Stage Extension Platform Trailer	13600 mm	8000 mm	N.A.	N.A.	21600 mm
2 Stage Extension Platform Trailer	13600 mm	7500 mm	8000 mm	N.A.	29100 mm
3 Stage Extension Platform Trailer	13600 mm	7000 mm	7500 mm	8000	36100 mm

NOTICE:

* 'Büyüküksel Damper Hid. Mak. San. Tic. Ltd. Şti.' has adopted principle of continuous improvement its products
 * 'Büyüküksel Damper' reserves the right to make changes in technical dimensions and features without prior notice
 * So; this technical drawing is given to be added to the contract annex and it is for only informational purposes

	Name	Date & Signature	 Trademark Name: SEMİTÜRK www.yukseldamper.com.tr www.semiturk.com.tr info@yukseldamper.com.tr +90 530 610 1432 / +90 332 239 1860
Designer	A.TAŞDELEN		
Control	A.ADIYAMAN		
Approval	O.ADIYAMAN		
Type Approval	e5*2018/858*00075*00		
Q.M.S. / No.	ISO 9001:2015 / QMS-0104558		
Product Code	SFBE04HG21		
Product Name	Extendable Platform Semi-Trailer		

All rights of this picture belong to **BÜYÜKYÜKSEL DAMPER LTD. ŞTİ.** So, it can not be reproduced, copied and published without permission