

NOTICE:  
 \* 'Büyüküksel Damper Hid. Mak. San. Tic. Ltd. Şti.' has adopted principle of continuous improvement its products  
 \* 'Büyüküksel Damper' reserves the right to make changes in technical dimensions and features without prior notice  
 \* So; this technical drawing is given to be added to the contract annex and it is for only informational purposes

	Name	Date & Signature
Designer	A.TAŞDELEN	
Control	A.ADIYAMAN	
Approval	O.ADIYAMAN	
Type Approval	e5*2018/858*00075*00	
Q.M.S. / No.	ISO 9001:2015 / QMS-0104558	
Product Code	STLB20SD30	
Product Name	Mobile Substation Transport Trailer	

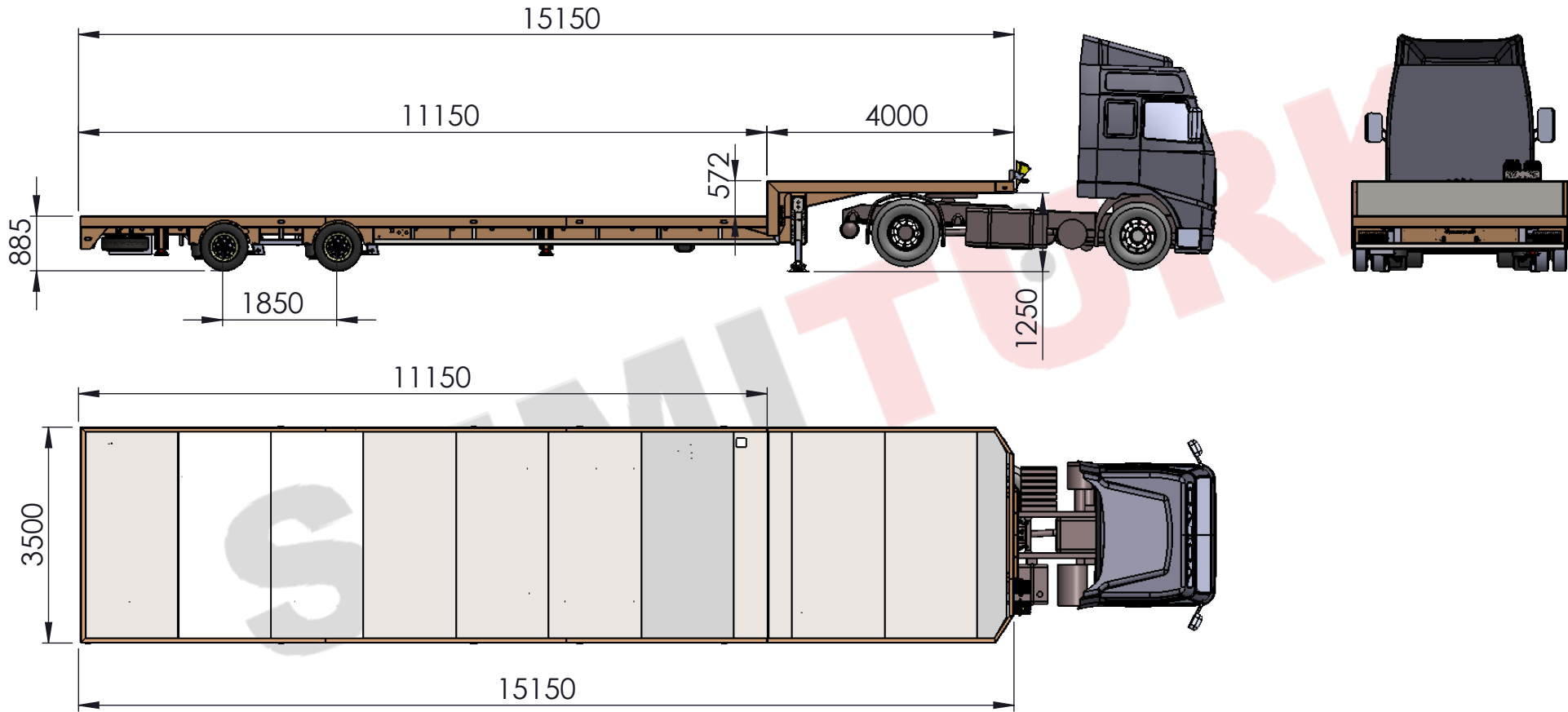
**BÜYÜKYÜKSEL**  
 DAMPER HİD. MAK. SAN. TİC. LTD. ŞTİ.

**Trademark Name: SEMİTÜRK**

[www.yukseldamper.com.tr](http://www.yukseldamper.com.tr)  
[www.semiturk.com.tr](http://www.semiturk.com.tr)  
[info@yukseldamper.com.tr](mailto:info@yukseldamper.com.tr)  
 +90 530 610 1432 / +90 332 239 1860


All rights of this picture belong to **BÜYÜKYÜKSEL DAMPER LTD. ŞTİ.** So, it can not be reproduced, copied and published without permission

## STLB20SD30 - Long Trailer (For traffic use, it is need to special permission)



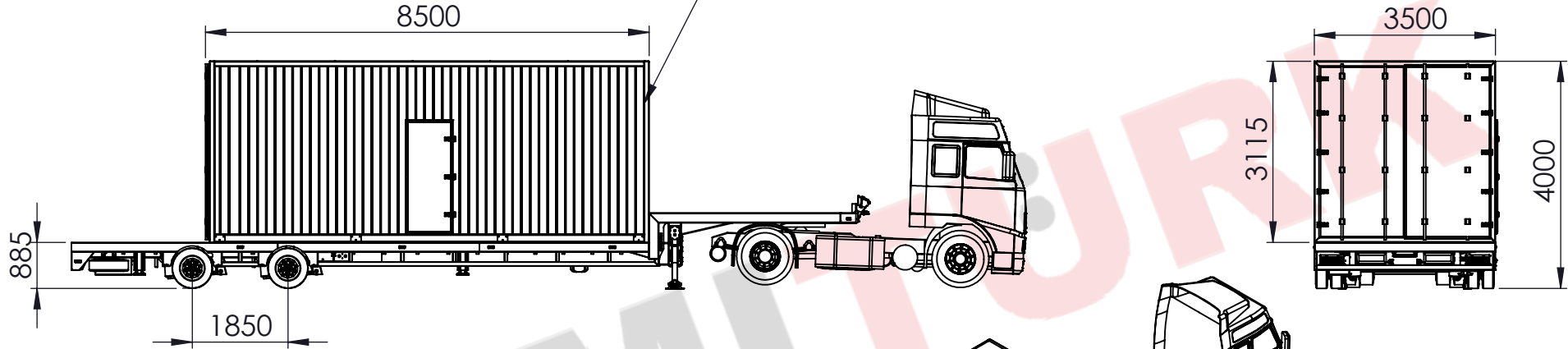
### NOTICE:

\* 'Büyüküksel Damper Hid. Mak. San. Tic. Ltd. Şti.' has adopted principle of continuous improvement its products  
 \* 'Büyüküksel Damper' reserves the right to make changes in technical dimensions and features without prior notice  
 \* So; this technical drawing is given to be added to the contract annex and it is for only informational purposes

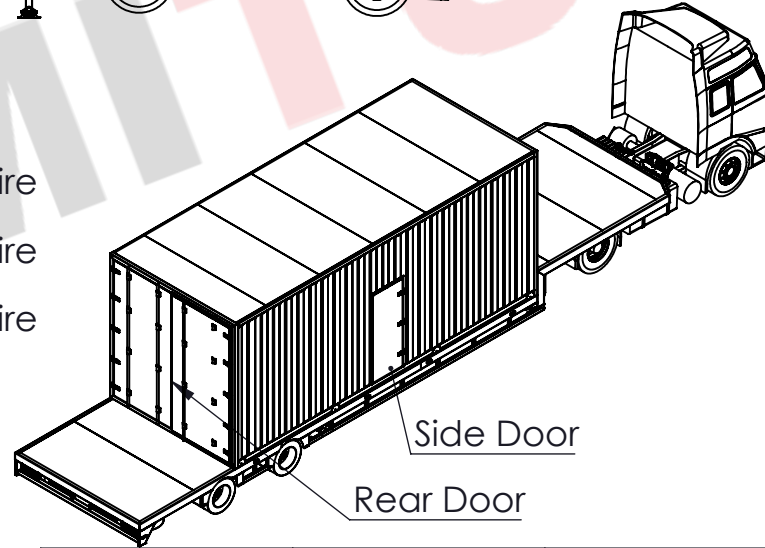
	Name	Date & Signature	
Designer	A.TAŞDELEN		
Control	A.ADIYAMAN		
Approval	O.ADIYAMAN		<b>Trademark Name: SEMİTÜRK</b>
Type Approval	e5*2018/858*00075*00		www.yukseldamper.com.tr
Q.M.S. / No.	ISO 9001:2015 / QMS-0104558		www.semiturk.com.tr
Product Code	STLB20SD30 - Longer Vehicle		info@yukseldamper.com.tr
Product Name	Mobile Substation Transport Trailer		+90 530 610 1432 / +90 332 239 1860
All rights of this picture belong to <b>BÜYÜKYÜKSEL DAMPER LTD. ŞTİ.</b> So, it can not be reproduced, copied and published without permission			

## STLB20SD30 - Long Trailer (For traffic use, it is need to special permission)

e-House Container | Mobile Substation Container




- \* 885 mm platform height with 215/75 R17,5 tire  
4 tire load combination 8240 kg
- \* 900 mm platform height with 235/75 R17,5 tire  
4 tire load combination 10300 kg
- \* 898 mm platform height with 245/70 R17,5 tire  
4 tire load combination 10300 kg



### NOTICE:

\* 'Büyüküksel Damper Hid. Mak. San. Tic. Ltd. Şti.' has adopted principle of continuous improvement its products  
 \* 'Büyüküksel Damper' reserves the right to make changes in technical dimensions and features without prior notice  
 \* So; this technical drawing is given to be added to the contract annex and it is for only informational purposes

	Name	Date & Signature	
Designer	A.TAŞDELEN		
Control	A.ADIYAMAN		
Approval	O.ADIYAMAN		<b>Trademark Name: SEMİTÜRK</b>
Type Approval	e5*2018/858*00075*00		www.yukseldamper.com.tr
Q.M.S. / No.	ISO 9001:2015 / QMS-0104558		www.semiturk.com.tr
Product Code	STLB20SD30 - Longer Vehicle		info@yukseldamper.com.tr
Product Name	Mobile Substation Transport Trailer		+90 530 610 1432 / +90 332 239 1860
All rights of this picture belong to <b>BÜYÜKYÜKSEL DAMPER LTD. ŞTİ.</b> So, it can not be reproduced, copied and published without permission			