
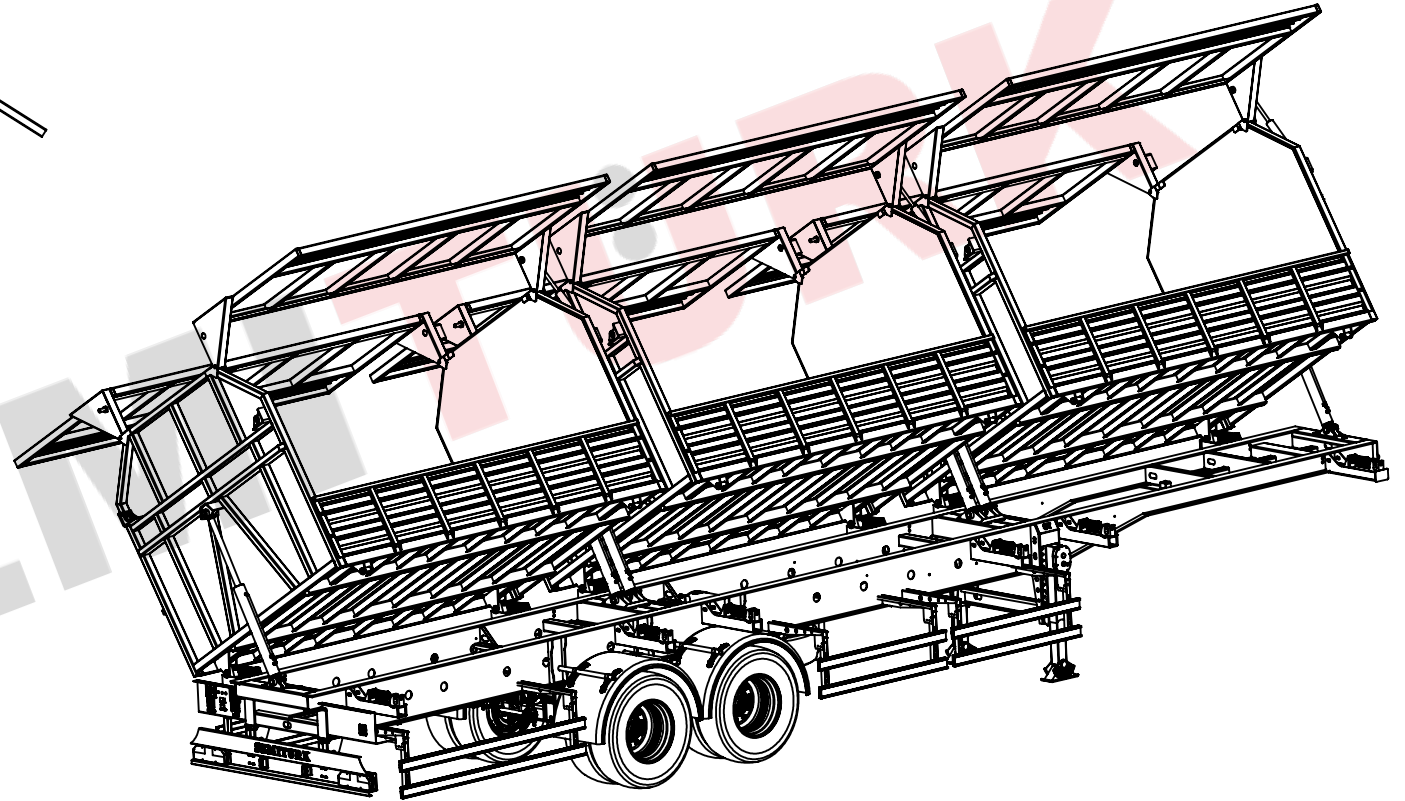
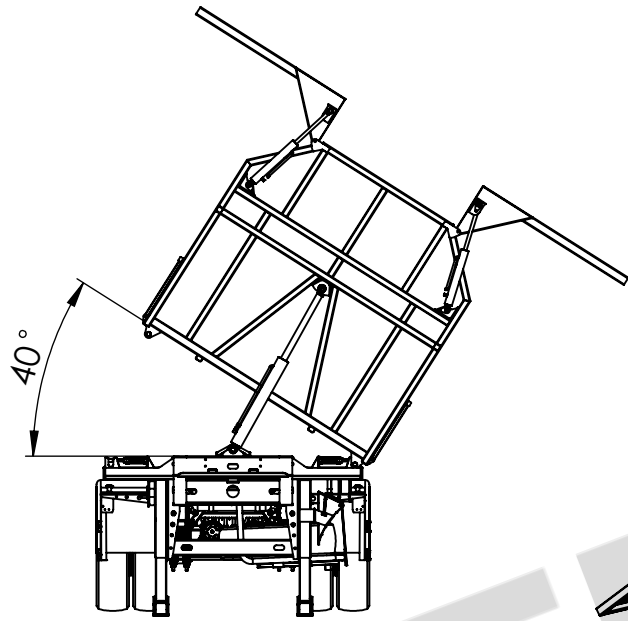


NOTICE:


* 'Büyükyüksel Damper Hid. Mak. San. Tic. Ltd. Şti.' has adopted principle of continuous improvement its products
 * 'Büyükyüksel Damper' reserves the right to make changes in technical dimensions and features without prior notice
 * So; this technical drawing is given to be added to the contract annex and it is for only informational purposes

	Name	Date & Signature	
Designer	A.TAŞDELEN		
Control	A.ADIYAMAN		Trademark Name: SEMİTÜRK
Approval	O.ADIYAMAN		
Type Approval	e5*2018/858*00075*00		www.yukseldamper.com.tr
Q.M.S. / No.	ISO 9001:2015 / QMS-0104558		www.semiturk.com.tr
Product Code	STCT20SJ31		info@yukseldamper.com.tr
Product Name	Cotton Transporter Semi-trailer		+90 530 610 1432 / +90 332 239 1860
All rights of this picture belong to BÜYÜKYÜKSEL DAMPER LTD. ŞTİ. So, it can not be reproduced, copied and published without permission			



NOTICE:

* 'Büyükyüksel Damper Hid. Mak. San. Tic. Ltd. Şti.' has adopted principle of continuous improvement its products
 * 'Büyükyüksel Damper' reserves the right to make changes in technical dimensions and features without prior notice
 * So; this technical drawing is given to be added to the contract annex and it is for only informational purposes

	Name	Date & Signature	
Designer	A.TAŞDELEN		
Control	A.ADIYAMAN		
Approval	O.ADIYAMAN		Trademark Name: SEMİTÜRK
Type Approval	e5*2018/858*00075*00		www.yukseldamper.com.tr
Q.M.S. / No.	ISO 9001:2015 / QMS-0104558		www.semiturk.com.tr
Product Code	STCT20SJ31		info@yukseldamper.com.tr
Product Name	Cotton Transporter Semi-trailer		+90 530 610 1432 / +90 332 239 1860
All rights of this picture belong to BÜYÜKYÜKSEL DAMPER LTD. ŞTİ. So, it can not be reproduced, copied and published without permission			