

NOTICE:
 * 'Büyüküksel Damper Hid. Mak. San. Tic. Ltd. Şti.' has adopted principle of continuous improvement its products
 * 'Büyüküksel Damper' reserves the right to make changes in technical dimensions and features without prior notice
 * So; this technical drawing is given to be added to the contract annex and it is for only informational purposes

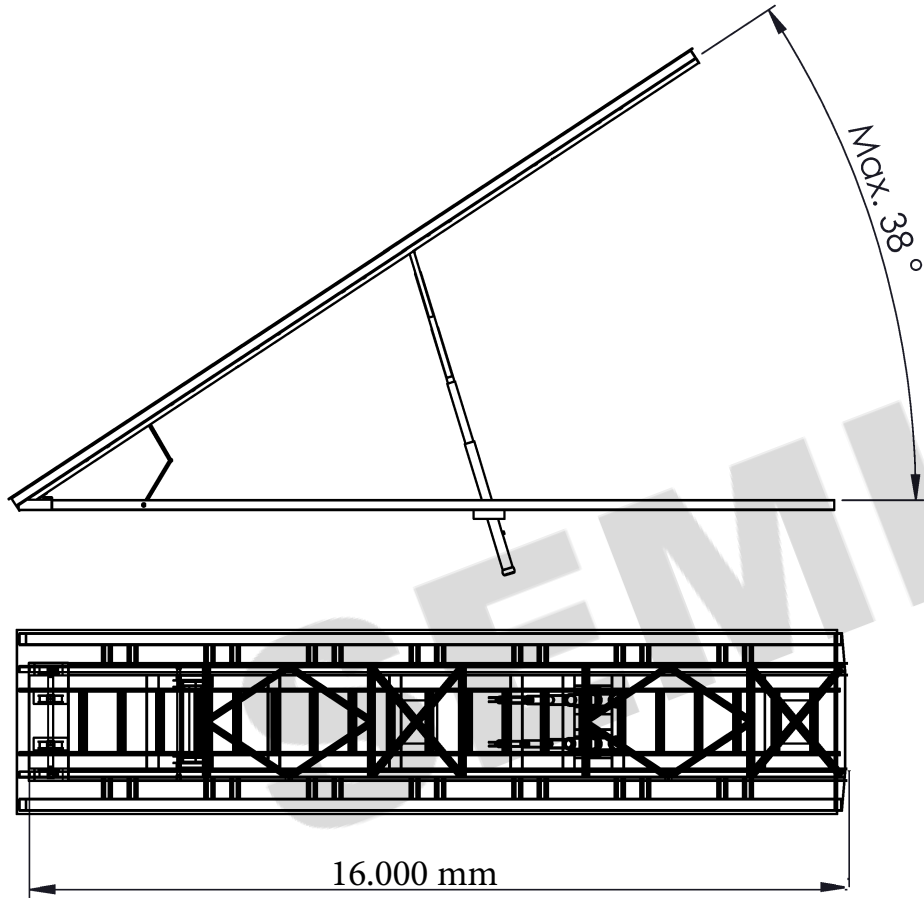
	Name	Date & Signature
Designer	A.TAŞDELEN	
Control	A.ADIYAMAN	
Approval	O.ADIYAMAN	
Type Approval	e5*2018/858*00075*00	
Q.M.S. / No.	ISO 9001:2015 / QMS-0104558	
Product Code	STUP031660	
Product Name	Hydraulic Truck Unloading Platform	



Trademark Name: **SEMİTÜRK**


www.yukseldamper.com.tr
 www.semiturk.com.tr
 info@yukseldamper.com.tr
 +90 530 610 1432 / +90 332 239 1860

All rights of this picture belong to **BÜYÜKYÜKSEL DAMPER LTD. ŞTİ.** So, it can not be reproduced, copied and published without permission



NOTICE:

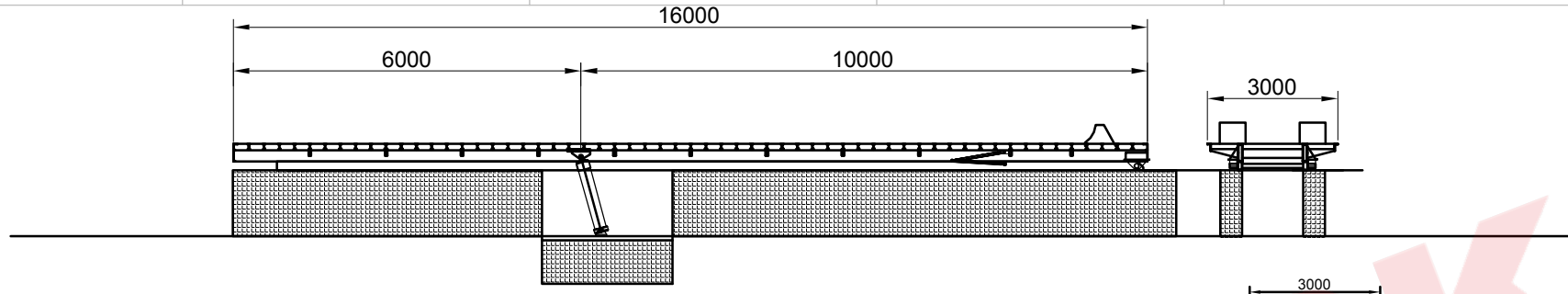
* 'Büyükyüksel Damper Hid. Mak. San. Tic. Ltd. Şti.' has adopted principle of continuous improvement its products
 * 'Büyükyüksel Damper' reserves the right to make changes in technical dimensions and features without prior notice
 * So; this technical drawing is given to be added to the contract annex and it is for only informational purposes

	Name	Date & Signature	
Designer	A.TAŞDELEN		
Control	A.ADIYAMAN		
Approval	O.ADIYAMAN		Trademark Name: SEMİTÜRK
Type Approval	e5*2018/858*00075*00		www.yukseldamper.com.tr
Q.M.S. / No.	ISO 9001:2015 / QMS-0104558		www.semiturk.com.tr
Product Code	STUP031660		info@yukseldamper.com.tr
Product Name	Hydraulic Truck Unloading Platform		+90 530 610 1432 / +90 332 239 1860
All rights of this picture belong to BÜYÜKYÜKSEL DAMPER LTD. ŞTİ. So, it can not be reproduced, copied and published without permission			

1 2 3 4 5 6

A

A

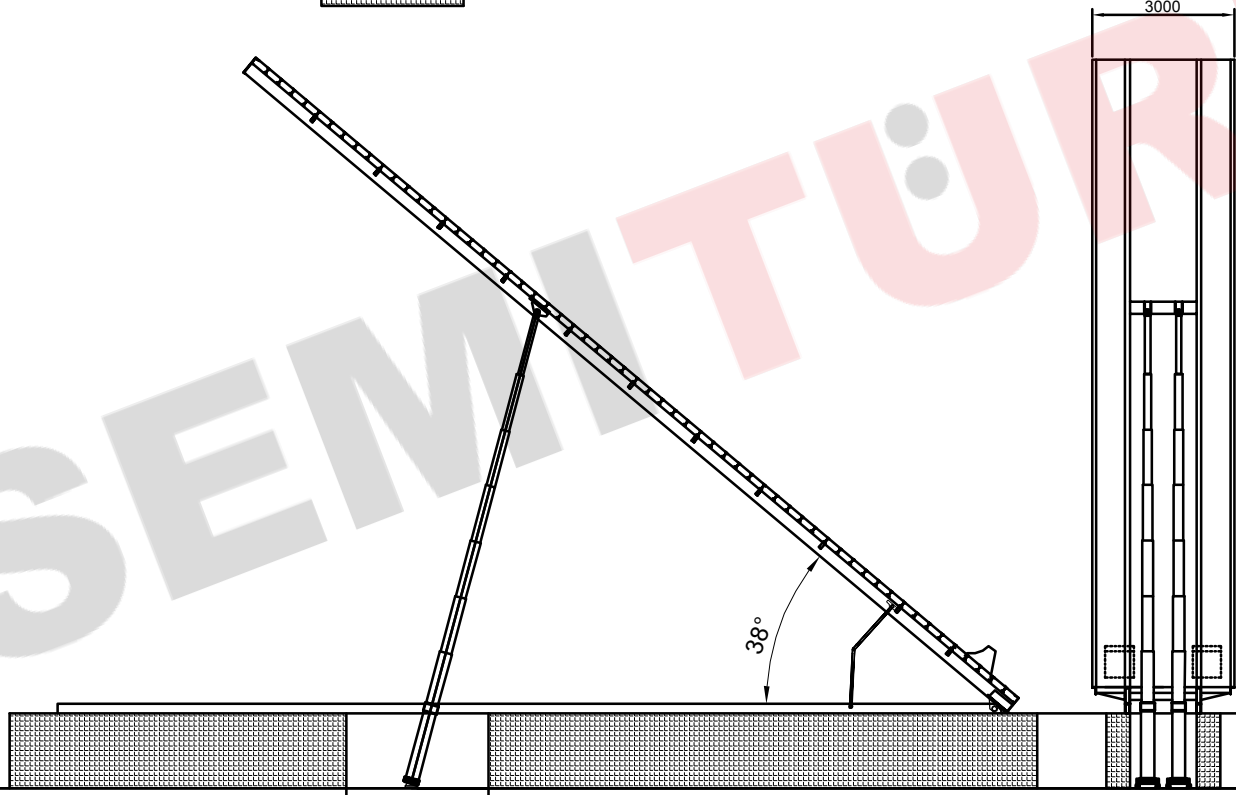


B

B

C

C



NOTICE:
* 'Büyükyüksel Damper Hid. Mak. San. Tic. Ltd. Şti.' has adopted principle of continuous improvement its products
* 'Büyükyüksel Damper' reserves the right to make changes in technical dimensions and features without prior notice
* So; this technical drawing is given to be added to the contract annex and it is for only informational purposes

	Name	Date & Signature
Designer	A.TAŞDELEN	
Control	A.ADIYAMAN	
Approval	O.ADIYAMAN	
Type Approval	e5*2018/858*00075*00	
Q.M.S. / No.	ISO 9001:2015 / QMS-0104558	
Product Code	STUP031660	
Product Name	Hydraulic Truck Unloading Platform	



Trademark Name: **SEMİTÜRK**

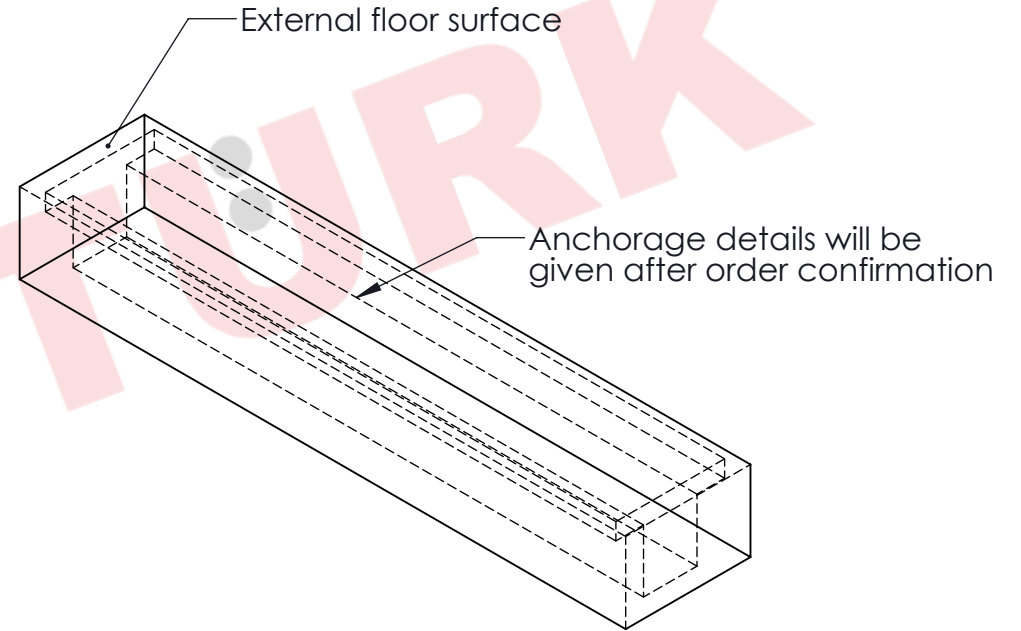
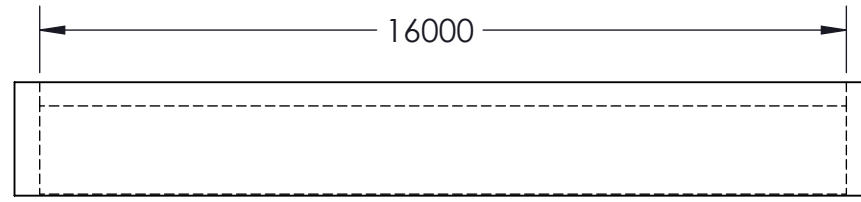
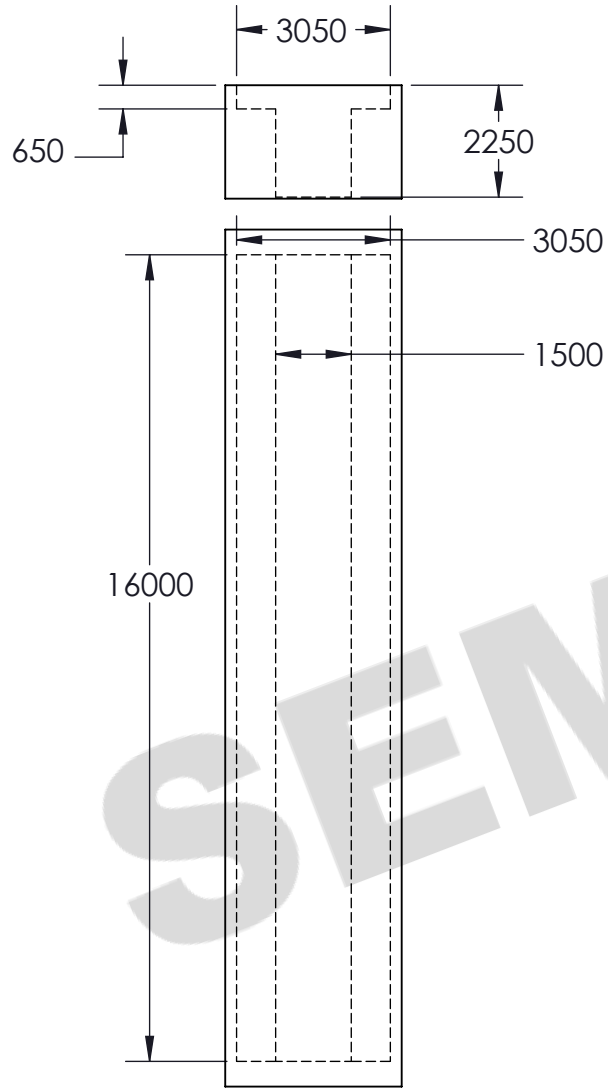
www.yukseldamper.com.tr
www.semiturk.com.tr
info@yukseldamper.com.tr
+90 530 610 1432 / +90 332 239 1860

All rights of this picture belong to **BÜYÜKYÜKSEL DAMPER LTD. ŞTİ.** So, it can not be reproduced, copied and published without permission

1 2 3 4 5 6

D


D



- * The project is sent as an example
- * As equipment details may change in line with user requirements, there may also be changes in the concrete floor project
- * Following the order confirmation, the final concrete floor project and other details will be delivered to buyer

NOTICE:

- * Büyükyüksel Damper has adopted the principle of continuous improvement of its products
- * Büyükyüksel Damper; has right to make changes in technical drawings and specifications without prior notice
- * So; this technical drawing is given to be added to the contract annex and it is for informational purposes only

	Name	Date & Signature	
Designer	A.TAŞDELEN		
Control	A.ADIYAMAN		
Approval	O.ADIYAMAN		
Type Approval	e5*2018/858*00075*00		www.yukseldamper.com.tr
Q.M.S. / No.	ISO 9001:2015 / QMS-0104558		www.semiturk.com.tr
Product Code	STUP031660 (Floor Mounting Project)		info@yukseldamper.com.tr
Product Name	Concrete Channel for Platform		+90 530 610 1432 / +90 332 239 1860

All rights of this picture belong to **BÜYÜKYÜKSEL DAMPER LTD. STI.** So, it can not be reproduced, copied and published without permission