



SEMİTÜRK



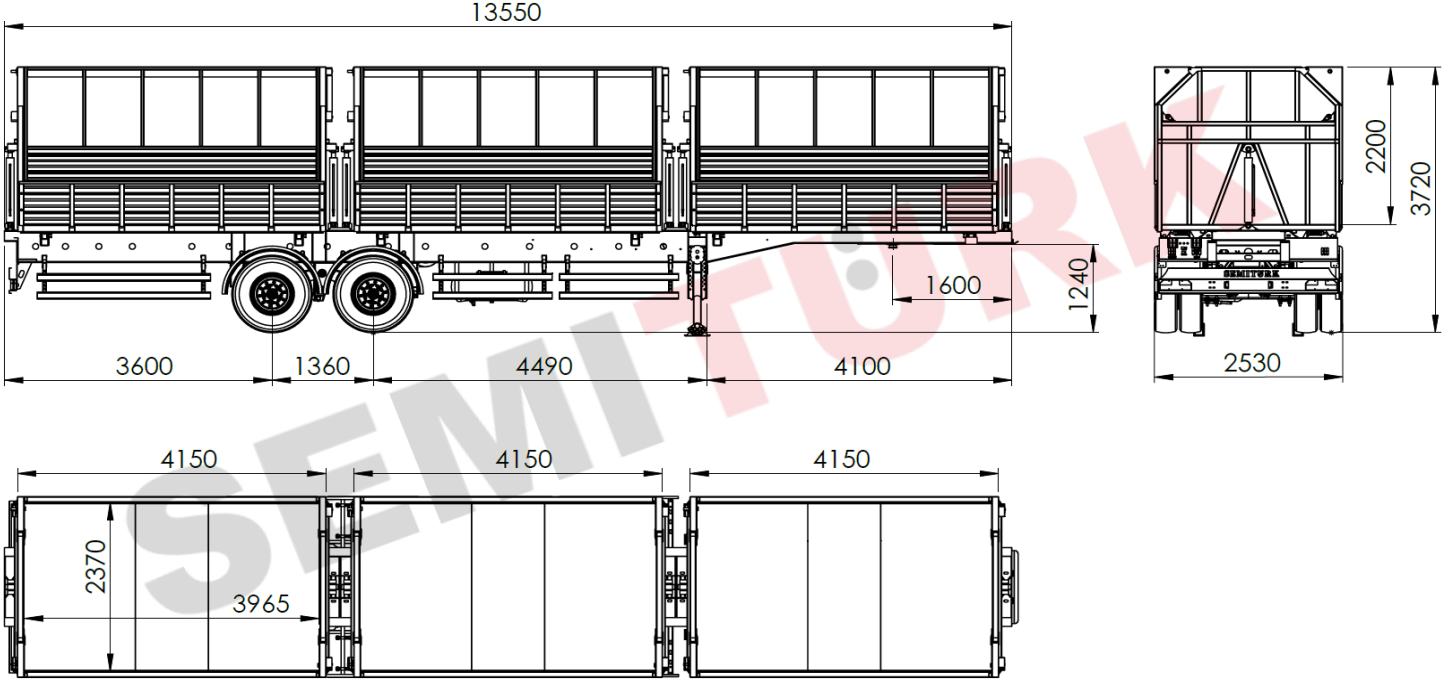
BÜYÜKYÜKSEL DAMPER VE HİDROLİK MAK. SAN. TİC. LTD. ŞTİ.

TRADEMARK NAME: SEMİTÜRK

FEVZİ ÇAKMAK MAH. MEDCEZİR CAD. NO: 8/116 B BLOK KONYA / TÜRKİYE

www.yukseldamper.com.tr - www.semiturk.com.tr

E-mail: info@yukseldamper.com.tr - Tel: +90 332 239 1860 / +90 530 610 1432


COTTON TRANSPORT TRAILER
STCT20SJ31

COTTON TRANSPORT TRAILER		STCT20SJ31
Weights & Dimensions (± %5)	Product Type	Cotton Transport Trailer Triple Wagon Side Tipper Semi-trailer Side Dump Semi Trailer
	Total Length	13.550 mm (optional size options)
	Total Width	2.550 mm (optional size options)
	Total Height	3.720 mm (optional size options)
	Tare Weight / Volume	11.000 kg / 62 m ³ usable volume (varies depending on optional options)
Body / Chassis	The main structure, chassis and other metal parts are produced as 'I-shaped' from 'ST37', 'ST52', 'S700MC', 'Hardox' sheet or other material options according to customer needs	
Axles	2 axle, Each one 12 tons capacity, Drum or optional disc brake type, 22.5" rim size	
Suspension System	Mechanical suspension system hardware or optional other compatible combinations	
Tires	8+1 unit 12 R22.5" size tubeless tyre and 22.5x9.00" size rim set or other combinations	
Hydraulic System	Right and left tipping mechanisms and upper covers are hydraulically controlled	
Brake System	Dual circuit (2-line) brake hardware, 2S/2M EBS (Electronic Braking System)	
Electrical Hardware	24 V lighting hardware, 2x7 pins electrical socket, 2 tail light, 4x2 side, 2 front lamps	
King-Pin	Bolt-connected 3,5" head (changeable with 2" head) king pin, SAE/DIN norms, D:190-260 kN	
Landing Legs	Mechanically two-speed semi-trailer landing gear set with a capacity of 24 tons	
Paint (with up to date RAL colour options)	Metal parts are painted 2-layers anti-corrosive epoxy primer then top acrylic paint coat	
Standard Accessories	4 x FRP mudguards, 1 x Axle nut removal tool, 1 x Spare tire with holder, 1 x Fire extinguisher tube cabinet, 1 x Water tank "chrome nickel or plastic", 1 x Wheel chock and holder, Lockable tool box, Lateral protection devices, English user manual	

BÜYÜKYÜKSEL DAMPER VE HİDROLİK MAK. SAN. TİC. LTD. ŞTİ.

TRADEMARK NAME: **SEMİTÜRK**

FEVZİ ÇAKMAK MAH. MEDCEZİR CAD. NO: 8/116 B BLOK KONYA / TÜRKİYE

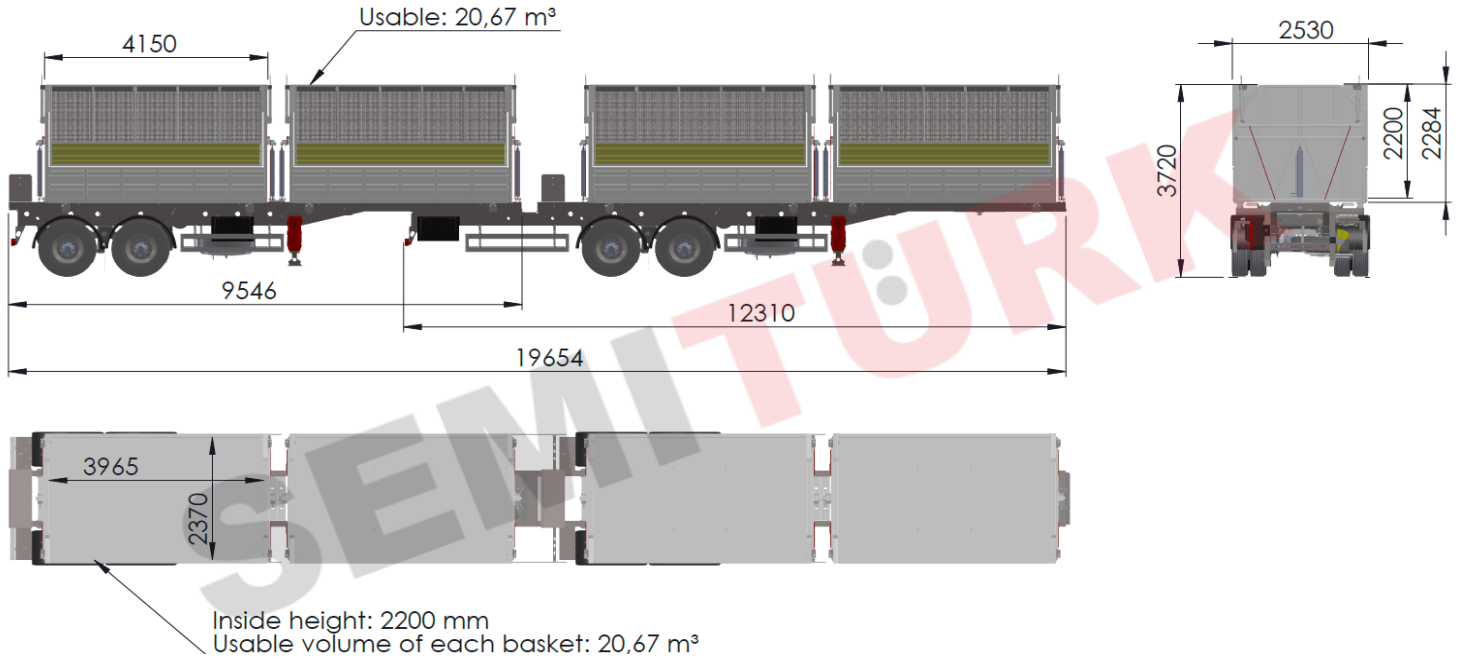
www.yukseldamper.com.tr - www.semiturk.com.tr

E-mail: info@yukseldamper.com.tr - Tel: +90 332 239 1860 / +90 530 610 1432



SEMİTÜRK




Cotton Transport Double Trailer
STCT40SJ31

Weights & Dimensions (± %5)	Product Type	Cotton Transport Trailer 4 Wagon with Double Semi-trailer Side Dump Semi Trailer
	Total Length	19.654 mm (optional size options)
	Total Width	2.530 mm (optional size options)
	Total Height	3.720 mm (optional size options)
	Tare Weight / Volume	15.000 kg / 82.7 m³ usable volume (varies depending on optional options)
Body / Chassis	The main structure, chassis and other metal parts are produced as 'I-shaped' from 'ST37', 'ST52', 'S700MC', 'Hardox' sheet or other material options according to customer needs	
Inter-link of 2 Trailers	King-pin (at front of rear trailer) and fifth-wheel (at rear of front trailer) connection	
Axles	2 + 2 axle, Each one 12 tons capacity, Drum or optional disc brake type, 22.5" rim size	
Suspension System	Mechanical suspension system hardware or optional other compatible combinations	
Tires	(8+1) + (8+1) unit 12 R22.5" tubeless tyre and 22.5x9.00" size rim set or other combinations	
Hydraulic System	Right and left tipping mechanisms and upper covers are hydraulically controlled	
Brake System	Dual circuit (2-line) brake hardware, 2S/2M EBS (Electronic Braking System)	
Electrical Hardware	24 V lighting hardware, 2x7 pins electrical socket, 2 tail light, 4x2 side, 2 front lamps	
King-Pin	Bolt-connected 3,5" head (changeable with 2" head) king pin, SAE/DIN norms, D:190-260 kN	
Landing Legs	Mechanically two-speed semi-trailer landing gear set with a capacity of 24 tons	
Paint (with up to date RAL colour options)	Metal parts are painted 2-layers anti-corrosive epoxy primer then top acrylic paint coat	
Standard Accessories	4 x FRP mudguards, 1 x Axle nut removal tool, 1 x Spare tire with holder, 1 x Fire extinguisher tube cabinet, 1 x Water tank "chrome nickel or plastic", 1 x Wheel chock and holder, Lockable tool box, Lateral protection devices, English user manual	

BÜYÜKYÜKSEL DAMPER VE HİDROLİK MAK. SAN. TİC. LTD. ŞTİ.

TRADEMARK NAME: SEMİTÜRK

FEVZİ ÇAKMAK MAH. MEDCEZİR CAD. NO: 8/116 B BLOK KONYA / TÜRKİYE

www.yukseldamper.com.tr - www.semiturk.com.tr

E-mail: info@yukseldamper.com.tr - Tel: +90 332 239 1860 / +90 530 610 1432