

SEMITÜRK®

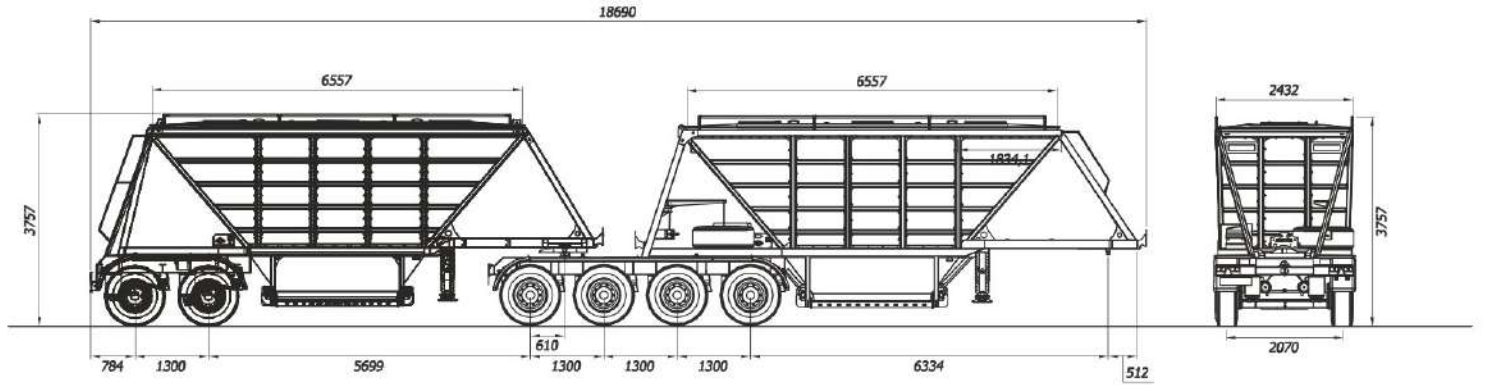


MODEL:

STHT51A210

BOTTOM HOPPER TYPE SEMI-TRAILER SET





SEMITÜRK

BOTTOM HOPPER TYPE SEMI-TRAILER SET		STHT51A210
Weight and Dimensions	Length of Total Set	18.690 mm
	Total Width	2.500 mm
	Ground Clearance	3.757 mm
	Volume 2 X 28 m ³ "SET"	56 m ³
	Dead Weight 2 x 6000 kg	12.000 kg
	Carrying Capacity	70.000 kg
Main Structure and Chassis	Aluminium alloy bunker, chassis and frame from 'Domex'	
Tires	385 / 65 R 22.5" size 12 + 1 units tubeless tires	
Brake System	Dual circuit brake hardware, EBS, 4S/2M	
King Pin	2", bolt - connected in DIN standards, interchangeable with 3.5"	
Landing Gears	Telescopic landing gears with two mechanical speeds; Dynamic: 25.000 kg, Static : 50.000 kg	
Axles	6 axles BPW compatible, 12 ton capacity, square section	
Suspansiyon Sistemi	Air - suspension "5813", 100 mm Z-type springs, suspension valves and shock absorbers	
Electricity Hardware 'E certified'	24 V Lighting system, 7 pole distribution cable and required hardware for traffic regulation	
Standard Accessories	1 x spare tire holder, 1 x tool box, 1 x water tank, wheel chock and holder, FRP mudguard, ladder	