

SEMITÜRK®

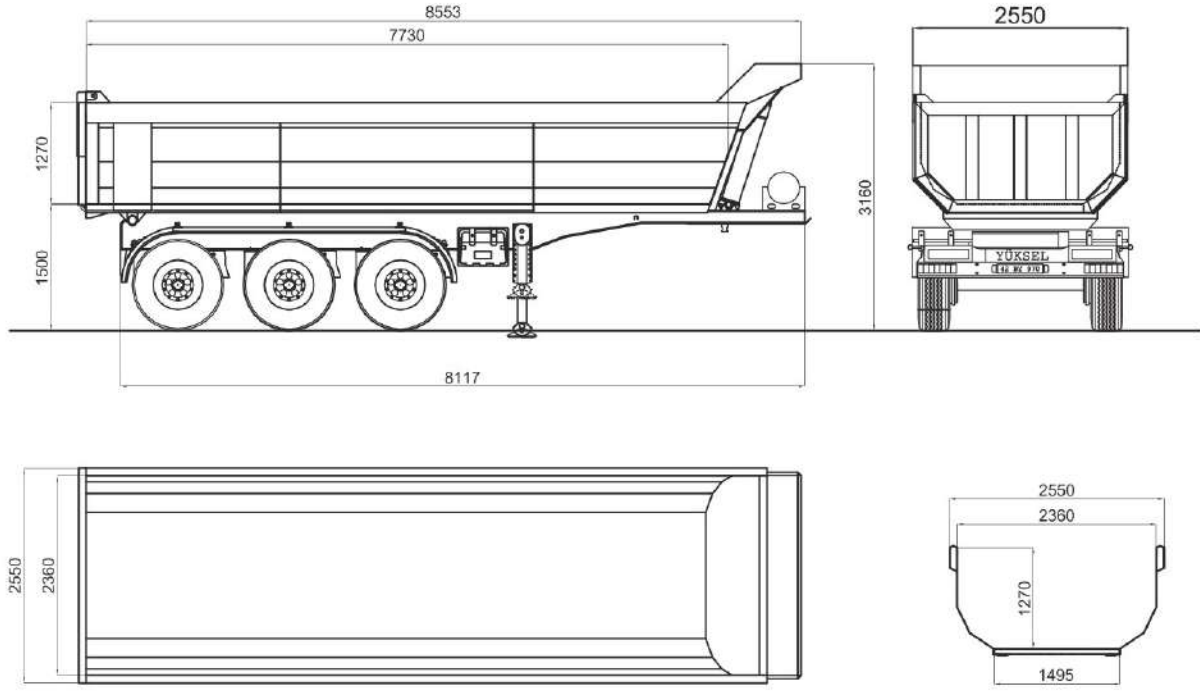


MODEL:
STET30A220

MODEL:
STUT30A202

EXCAVATION TYPE DUMPER SEMI TRAILER





SEMITÜRK

DUMPER SEMI TRAILER		STET30A220	STUT30A202
Weight and Dimensions	Model Type	Excavation type	'U' type
	Length of Dumper	8.500 mm	7.730 mm
	Total Width	2.550 mm	2.550 mm
	Gates	1.600 mm	1.270 mm
	Dead Weight	8.750 kg	6.000 kg
Main Structure and Chassis		Main structure, chassis and other metal parts are produced from 'Hardox' 'ST 52' and 'Domex 700' material options	Main structure, chassis and other metal parts are produced from 'Hardox' 'ST 52' and 'Domex 700' material options
Tires		385 / 65 R 22.5" size 6 + 1 units tubeless tires	
Brake System		Dual circuit brake hardware, EBS, 2S/2M & 4S/2M	
King Pin		2", bolt - connected in DIN standards	
Landing Gears		Telescopic landing gears with two mechanical speeds; Dynamic: 25.000 kg, Static : 50.000 kg	
Axles		3 axles BPW compatible, 12 ton capacity, square section	
Suspension System		Air -suspension "5813", 100 mm Z-type springs, suspension valves and shock absorbers	
Electricity Hardware 'E certified'		24 V Lighting system, 7 pole distribution cable and required hardware for traffic regulation	
Standard Accessories		1 x spare tire holder, 1 x tool box, 1 x water tank, wheel chock and holder, FRP mudguard, ladder	