

# SEMITÜRK®



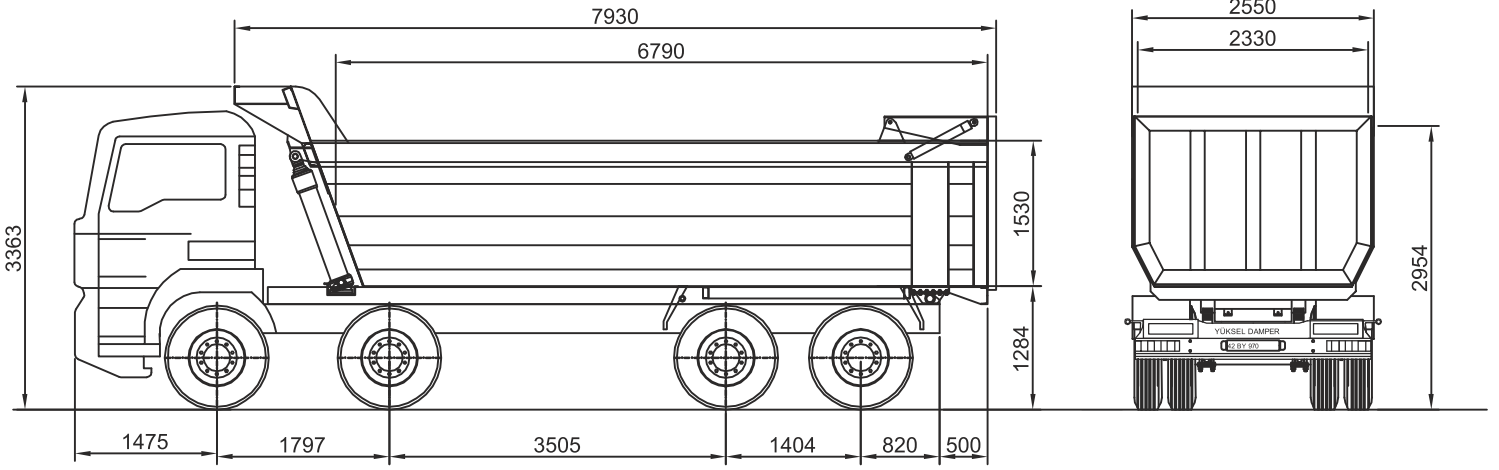
MODEL:  
STAU00ET01

MODEL:  
STAU00CT01

MODEL:  
STAU00UT01

OVER CHASSIS TIPPER AND EQUIPMENTS





# SEMITÜRK

OVER CHASSIS TIPPER STAU00ET01		STAU00UT01	STAU00CT01	
Weight and Dimensions	Model Type	Excavation type	'U' type	Chest type
	Length of Dumper	Appropriate to vehicle dimensions	Appropriate to vehicle dimensions	Appropriate to vehicle dimensions
	Gates	Optional sizes	Optional sizes	950 mm - 350 + 350 mm accessional gates
Main Structure and Chassis		Main structure, chassis and others are made of 'Domex 700' 'Hardox' and 'ST52' metal options	Main structure, chassis and others are made of 'Domex 700' 'Hardox' and 'ST52' metal options	Main structure, chassis and others are made of 'Domex 700' and 'ST52' metal options
Hydraulic System		<ul style="list-style-type: none"> <li>Oil tank</li> <li>Limit control valve</li> <li>Directional valve and oil filter</li> <li>Power pump with coupling gear</li> <li>4 - step cold drawn telescopic cylinder in the front</li> </ul>		
Additional Options		Hydraulic rear gate		
Standard Accessories		1 x tool box, 1 x water tank, FRP & metal mudguard, ladder		