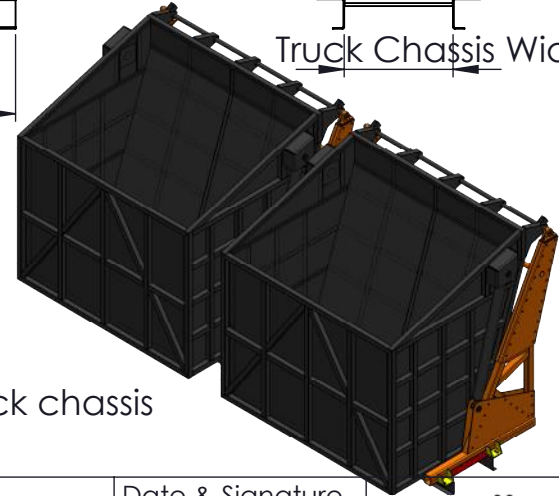


- * Front wall is 2 mm 'S235JR or equivalent'
- * Side walls is 2 mm 'S235JR or equivalent'
- * Rear wall is 3 mm 'S235JR or equivalent'
- * Base floor is 3 mm 'S235JR or equivalent'
- * All inside frame 80x80 profile
- * Outside outer retaining posts 100 x100 mm profile
- * Usable volume of equipment is 15,3 m³ (12,7 + 2,6 m³) * 2 Basket
- * Estimated steel weights of 2 steel body: 6300 Kg ± %5 without truck chassis
- * Unloading height is: 3210 mm from truck chassis



NOTICE:

* 'Büyükyüksel Damper Hid. Mak. San. Tic. Ltd. Şti.' has adopted principle of continuous improvement its products
 * 'Büyükyüksel Damper' reserves the right to make changes in technical dimensions and features without prior notice
 * So; this technical drawing is given to be added to the contract annex and it is for only informational purposes

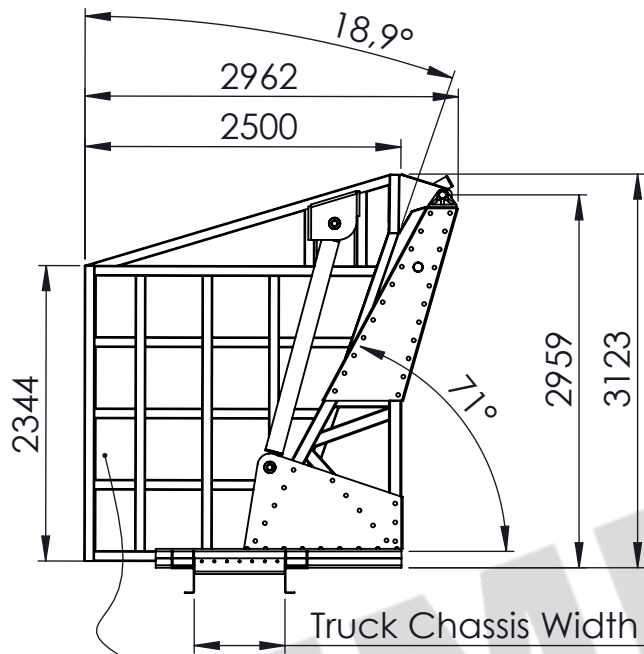
	Name	Date & Signature
Designer	A.TAŞDELEN	
Control	A.ADIYAMAN	
Approval	O.ADIYAMAN	
Type Approval	e5*2018/858*00075*00	
Q.M.S. / No.	ISO 9001:2015 / QMS-0104558	
Product Code	STSC00TB15	
Product Name	High Lift Side Dump Box & Wagon	



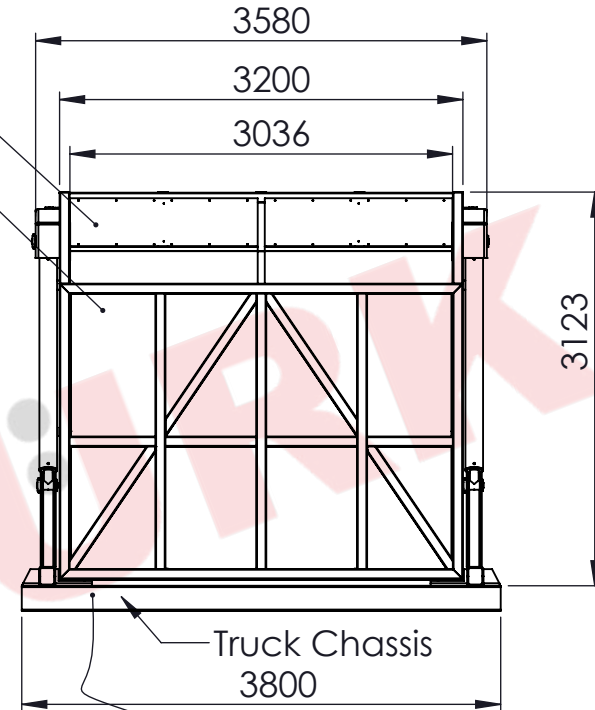
Trademark Name: **SEMİTÜRK**

www.yukseldamper.com.tr
 www.semiturk.com.tr
 info@yukseldamper.com.tr
 +90 530 610 1432 / +90 332 239 1860

All rights of this picture belong to BÜYÜKYÜKSEL DAMPER LTD. ŞTİ. So, it can not be reproduced, copied and published without permission



Rear Wall
Front Wall




- * Front wall is 2 mm 'S235JR or equivalent'
- * Side walls is 2 mm 'S235JR or equivalent'
- * Rear wall is 3 mm 'S235JR or equivalent'
- * Base floor is 3 mm 'S235JR or equivalent'
- * All inside frame 80x80 profile

- * Outside outer retaining posts 100 x100 mm profile
- * Usable volume of equipment is 15,3 m³ (12,7 + 2,6 m³)
- * Estimated steel weights of 1 steel body: 3150 Kg ± %5 without truck chassis
- * Unloading height is: 3210 mm from truck chassis
- * "The buyer" accepts and undertakes that it is responsible for any problems that may arise due to any non-compliance with the traffic regulations of own country (about sizes)

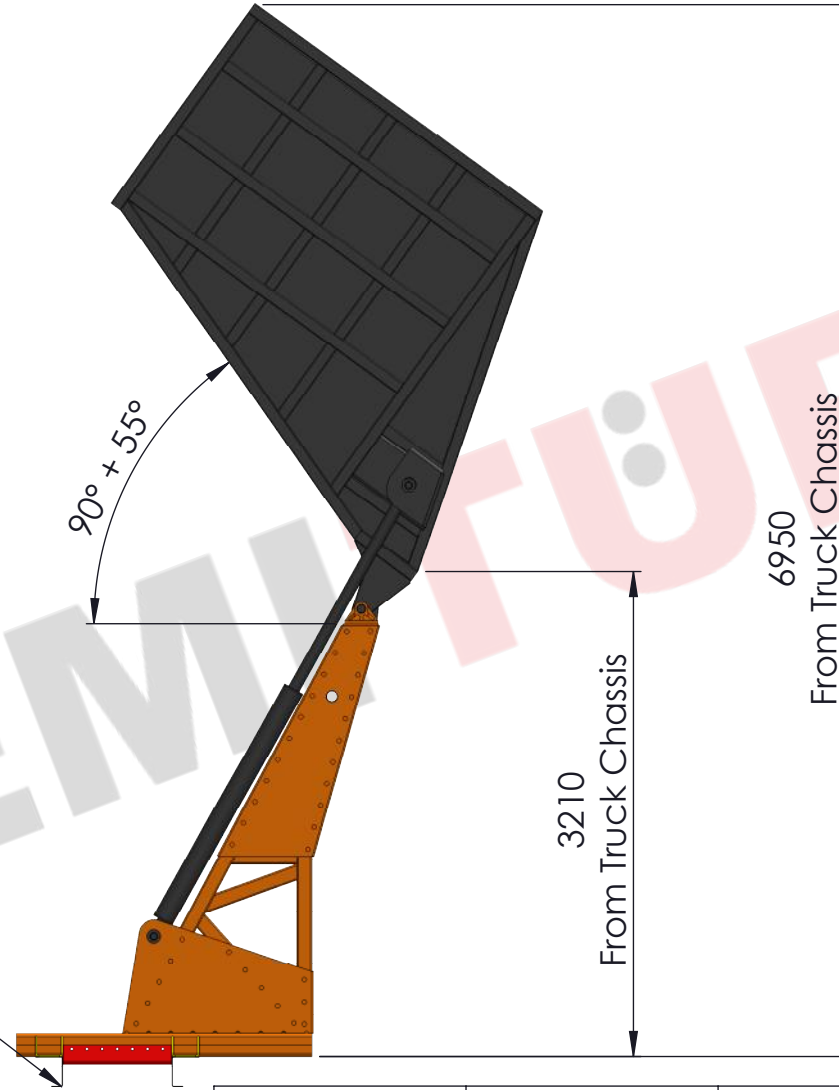
- * Truck chassis of buyer (Seller don't provide it)
- * Chassis dimensions were sent by the buyer and the dimensions were checked and approved by the buyer

NOTICE:

- * 'Büyükyüksel Damper Hid. Mak. San. Tic. Ltd. Şti.' has adopted principle of continuous improvement its products
- * 'Büyükyüksel Damper' reserves the right to make changes in technical dimensions and features without prior notice
- * So; this technical drawing is given to be added to the contract annex and it is for only informational purposes


	Name	Date & Signature	
Designer	A.TAŞDELEN		
Control	A.ADIYAMAN		Trademark Name: SEMİTÜRK
Approval	O.ADIYAMAN		
Type Approval	e5*2018/858*00075*00		www.yukseldamper.com.tr
Q.M.S. / No.	ISO 9001:2015 / QMS-0104558		www.semiturk.com.tr
Product Code	STSC00TB15		info@yukseldamper.com.tr
Product Name	High Lift Side Dump Box & Wagon		+90 530 610 1432 / +90 332 239 1860
All rights of this picture belong to BÜYÜKYÜKSEL DAMPER LTD. ŞTİ. So, it can not be reproduced, copied and published without permission			

TRUCK CHASSIS



NOTICE:

* 'Büyükyüksel Damper Hid. Mak. San. Tic. Ltd. Şti.' has adopted principle of continuous improvement its products
* 'Büyükyüksel Damper' reserves the right to make changes in technical dimensions and features without prior notice
* So; this technical drawing is given to be added to the contract annex and it is for only informational purposes

	Name	Date & Signature	 DAMPER HİD. MAK. SAN. TİC. LTD. ŞTİ.
Designer	A.TAŞDELEN		
Control	A.ADIYAMAN		
Approval	O.ADIYAMAN		Trademark Name: SEMITÜRK
Type Approval	e5*2018/858*00075*00		www.yukseldamper.com.tr
Q.M.S. / No.	ISO 9001:2015 / QMS-0104558		www.semiturk.com.tr
Product Code	STSC00TB15		info@yukseldamper.com.tr
Product Name	High Lift Side Dump Box & Wagon		+90 530 610 1432 / +90 332 239 1860

All rights of this picture belong to **BÜYÜKYÜKSEL DAMPER LTD. ŞTİ.** So, it can not be reproduced, copied and published without permission