
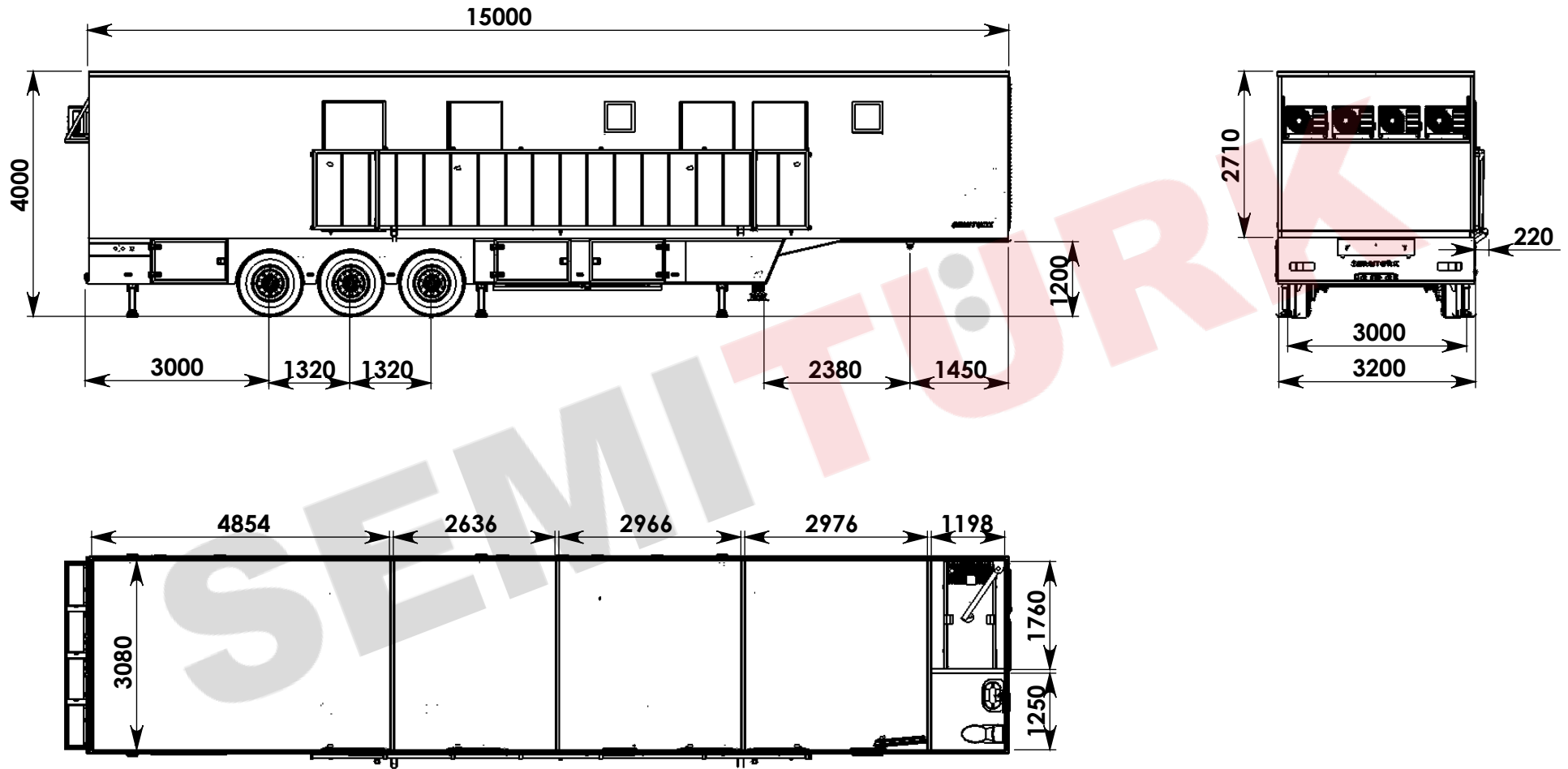


NOTICE:


\* Büyükyüksel Damper Hid. Mak. San. Tic. Ltd. Şti. has adopted principle of continuous improvement its products  
 \* Büyükyüksel Damper has right to make changes in technical drawings and specifications without prior notice  
 \* So; this technical drawing is given to be added to the contract annex and it is for only informational purposes

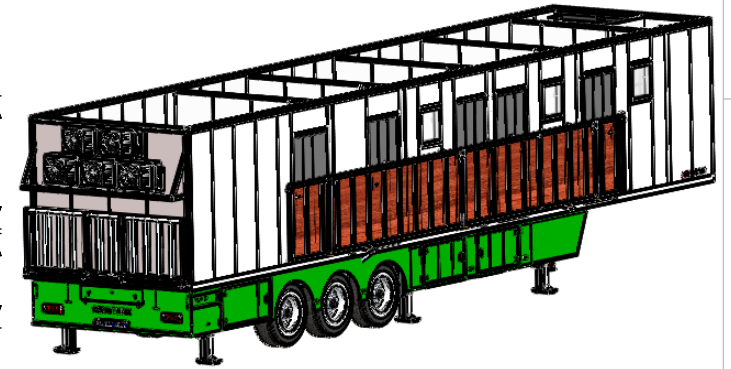
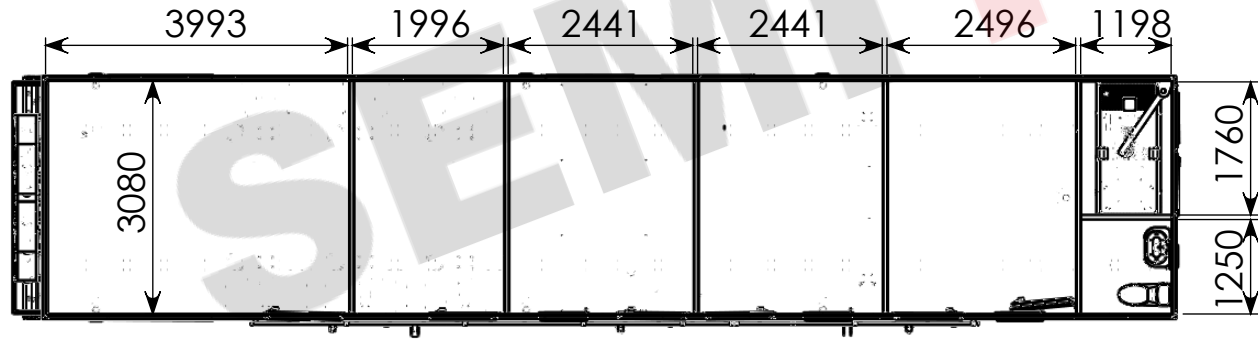
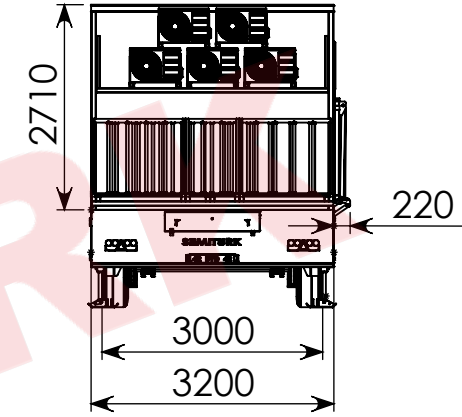
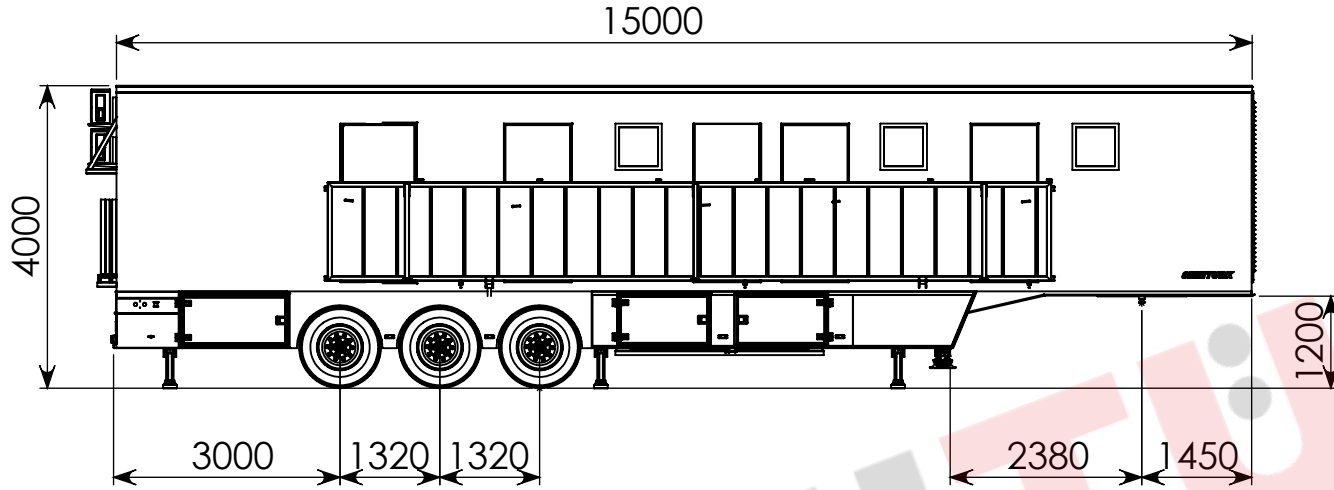
	Name	Date & Signature	
Designer	A.TAŞDELEN		
Control	A.ADIYAMAN		
Approval	O.ADIYAMAN		<b>Trademark Name: SEMİTÜRK</b>
Type Approval	e5*2018/858*00075*00		www.yukseldamper.com.tr
Q.M.S. / No.	ISO 9001:2015 / QMS-0104558		www.semiturk.com.tr
Product Code	STKK30AG30		info@yukseldamper.com.tr
Product Name	Mobile Surgery Clinic Semi-Trailer		+90 530 610 1432 / +90 332 239 1860
All rights of this picture belong to <b>BÜYÜKYÜKSEL DAMPER LTD. ŞTİ.</b> So, it can not be reproduced, copied and published without permission			



**NOTICE:**


\* Büyükyüksel Damper Hid. Mak. San. Tic. Ltd. Şti. has adopted principle of continuous improvement its products  
 \* Büyükyüksel Damper has right to make changes in technical drawings and specifications without prior notice  
 \* So; this technical drawing is given to be added to the contract annex and it is for only informational purposes

	Name	Date & Signature	
Designer	A.TAŞDELEN		
Control	A.ADIYAMAN		<b>Trademark Name: SEMİTÜRK</b> <a href="http://www.yukseldamper.com.tr">www.yukseldamper.com.tr</a> <a href="http://www.semiturk.com.tr">www.semiturk.com.tr</a> <a href="mailto:info@yukseldamper.com.tr">info@yukseldamper.com.tr</a> +90 530 610 1432 / +90 332 239 1860
Approval	O.ADIYAMAN		
Type Approval	e5*2018/858*00075*00		
Q.M.S. / No.	ISO 9001:2015 / QMS-0104558		
Product Code	STKK30AG30		
Product Name	Mobile Surgery Clinic Semi-Trailer		
<b>All rights of this picture belong to BÜYÜKYÜKSEL DAMPER LTD. ŞTİ. So, it can not be reproduced, copied and published without permission</b>			



NOTICE:

\* Büyükyüksel Damper Hid. Mak. San. Tic. Ltd. Şti. has adopted principle of continuous improvement its products  
 \* Büyükyüksel Damper has right to make changes in technical drawings and specifications without prior notice  
 \* So; this technical drawing is given to be added to the contract annex and it is for only informational purposes

	Name	Date & Signature	
Designer	A.TAŞDELEN		
Control	A.ADIYAMAN		<b>Trademark Name: SEMİTÜRK</b>
Approval	O.ADIYAMAN		
Type Approval	e5*2018/858*00075*00		www.yukseldamper.com.tr
Q.M.S. / No.	ISO 9001:2015 / QMS-0104558		www.semiturk.com.tr
Product Code	STKK30AG30		info@yukseldamper.com.tr
Product Name	Mobile Surgery Clinic Semi-Trailer		+90 530 610 1432 / +90 332 239 1860
<b>All rights of this picture belong to BÜYÜKYÜKSEL DAMPER LTD. ŞTİ. So, it can not be reproduced, copied and published without permission</b>			